

NO: PX-060
DATE: April 2014

PRODUCT: E2EZ AC Proximity Sensors
TYPE: Discontinuation Notice

E2EZ AC 2-wire Proximity Sensors with Aluminum Chip Resistance will be Discontinued March 2015

Effective date: March 31, 2015

Cautions on Applying Replacement:

Discontinued models E2EZ-X□Y1 and E2EZ-X4Y1-M1J use AC supply voltage; replacement models E2EZ-X□D1-N and E2EZ-X4D1-M1J use DC supply voltage.

Affected Parts

Product discontinuation	Recommended replacement
E2EZ-X4Y1 2M	E2EZ-X4D1-N 2M
E2EZ-X4Y1 5M	E2EZ-X4D1-N 5M
E2EZ-X8Y1 2M	E2EZ-X8D1-N 2M
E2EZ-X8Y1 5M	E2EZ-X8D1-N 5M
E2EZ-X4Y1-M1J 0.3M	E2EZ-X4D1-M1J 0.3M

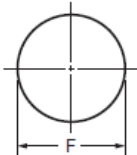
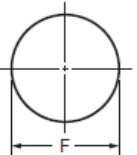
The following tables show the differences.

Detail of Differences

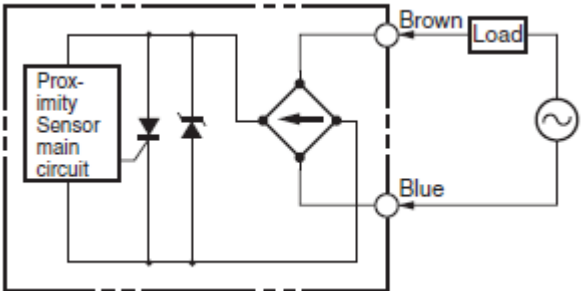
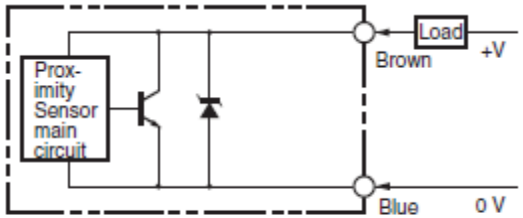
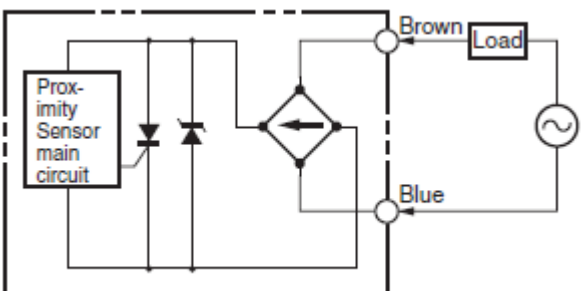
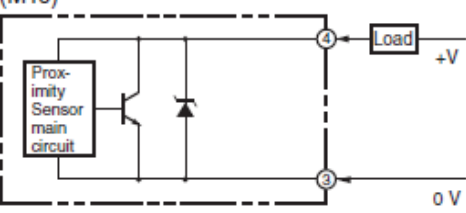

Body Color

Product discontinuation	Recommended replacement
Models E2EZ-X□Y1, E2EZ-X4Y1-M1J Silver	Models E2EZ-X□D1-N, E2EZ-X4D1-M1J Silver

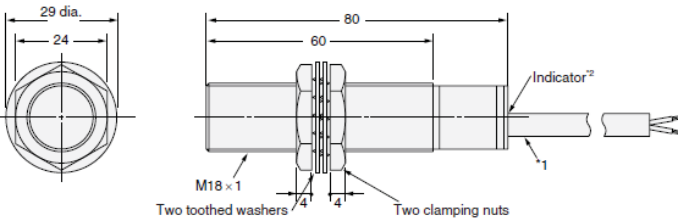
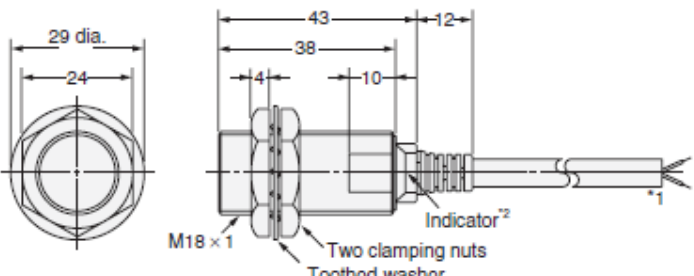
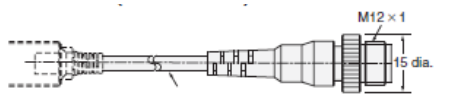

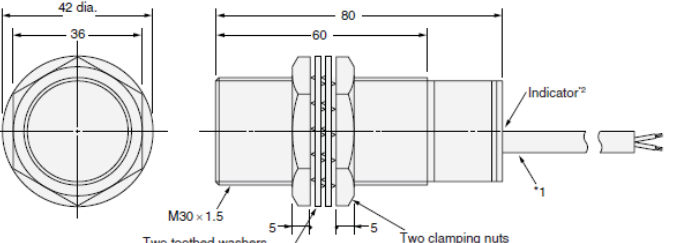
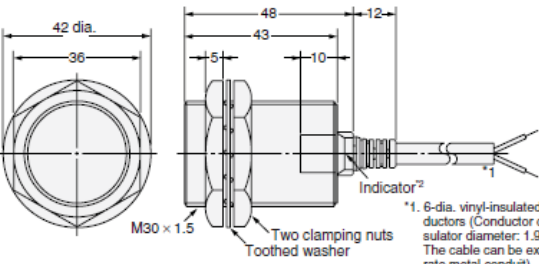
Mounting Holes

Product discontinuation Models E2EZ-X□Y1, E2EZ-X4Y1-M1J	Recommended replacement Models E2EZ-X□D1-N, E2EZ-X4D1-M1J												
 <table border="1"> <thead> <tr> <th>Model</th> <th>F (mm)</th> </tr> </thead> <tbody> <tr> <td>E2EZ-X4□</td> <td>18.5 dia. $\begin{smallmatrix} +0.5 \\ -0 \end{smallmatrix}$</td> </tr> <tr> <td>E2EZ-X8□</td> <td>30.5 dia. $\begin{smallmatrix} +0.5 \\ -0 \end{smallmatrix}$</td> </tr> </tbody> </table>	Model	F (mm)	E2EZ-X4□	18.5 dia. $\begin{smallmatrix} +0.5 \\ -0 \end{smallmatrix}$	E2EZ-X8□	30.5 dia. $\begin{smallmatrix} +0.5 \\ -0 \end{smallmatrix}$	 <table border="1"> <thead> <tr> <th>Model</th> <th>F (mm)</th> </tr> </thead> <tbody> <tr> <td>E2EZ-X4□</td> <td>18.5 dia. $\begin{smallmatrix} +0.5 \\ -0 \end{smallmatrix}$</td> </tr> <tr> <td>E2EZ-X8□</td> <td>30.5 dia. $\begin{smallmatrix} +0.5 \\ -0 \end{smallmatrix}$</td> </tr> </tbody> </table>	Model	F (mm)	E2EZ-X4□	18.5 dia. $\begin{smallmatrix} +0.5 \\ -0 \end{smallmatrix}$	E2EZ-X8□	30.5 dia. $\begin{smallmatrix} +0.5 \\ -0 \end{smallmatrix}$
Model	F (mm)												
E2EZ-X4□	18.5 dia. $\begin{smallmatrix} +0.5 \\ -0 \end{smallmatrix}$												
E2EZ-X8□	30.5 dia. $\begin{smallmatrix} +0.5 \\ -0 \end{smallmatrix}$												
Model	F (mm)												
E2EZ-X4□	18.5 dia. $\begin{smallmatrix} +0.5 \\ -0 \end{smallmatrix}$												
E2EZ-X8□	30.5 dia. $\begin{smallmatrix} +0.5 \\ -0 \end{smallmatrix}$												

Wiring Diagrams

Product discontinuation	Recommended replacement
<p>E2EZ-X*Y1</p> 	<p>E2EZ-X*D1-N</p>  <p>Note: The load can be connected to either the +V or 0 V side.</p>
<p>E2EZ-X4Y1-M1J</p> 	<p>E2EZ-X4D1-M1J</p> <p>(M1J)</p>  <p>Connector Pin Arrangement</p>  <p>Note: Pins 1 and 2 are not used.</p> <p>Note: The load can be connected to either the +V or 0 V side.</p>

Dimensions

Product discontinuation Models E2EZ-X□Y1, E2EZ-X4Y1-M1J	Recommended replacement Models E2EZ-X□D1-N, E2EZ-X4D1-M1J
<p>E2EZ-X4Y1</p> 	<p>E2EZ-X4D1-N</p> 
<p>E2EZ-X4Y1-M1J</p>  <p>6-dia. vinyl-insulated round cable with 2 conductors (Conductor cross section: 0.5 mm², Insulator diameter: 1.9 mm), Standard length: 300 mm</p>	<p>E2EZ-X4D1-M1J</p>  <p>6-dia. vinyl-insulated round cable with 2 conductors (Conductor cross section: 0.5 mm², Insulator diameter: 1.9 mm), Standard length: 300 mm</p>
<p>E2EZ-X8Y1</p>  <p>6-dia. vinyl-insulated round cable with 2 conductors (Conductor cross section: 0.5 mm², Insulator diameter: 1.9 mm), Standard length: 2 m</p>	<p>E2EZ-X8D1-N</p>  <p>*1. 6-dia. vinyl-insulated round cable with 2 conductors (Conductor cross section: 0.5 mm², Insulator diameter: 1.9 mm), Standard length: 2 m. The cable can be extended up to 200 m (separate metal conduit). *2. D1 Models: Operation indicator (red), Setting indicator (green)</p>

Characteristics

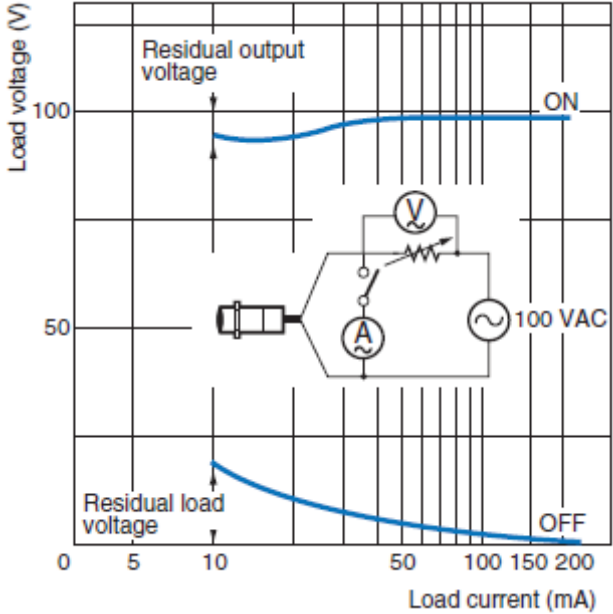
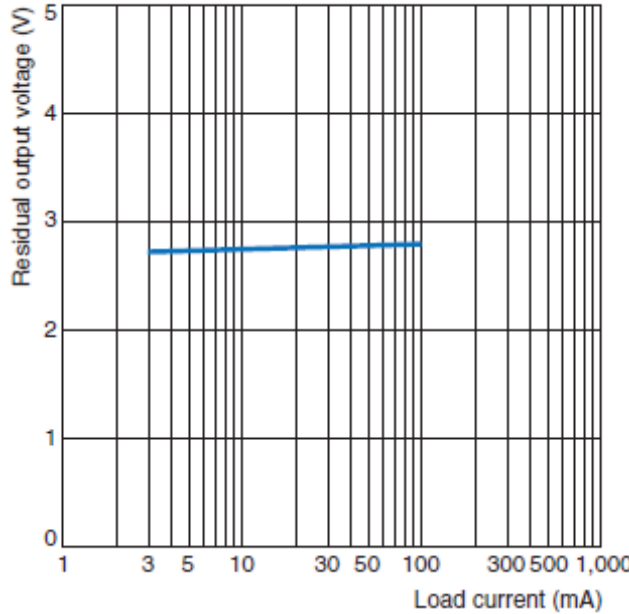
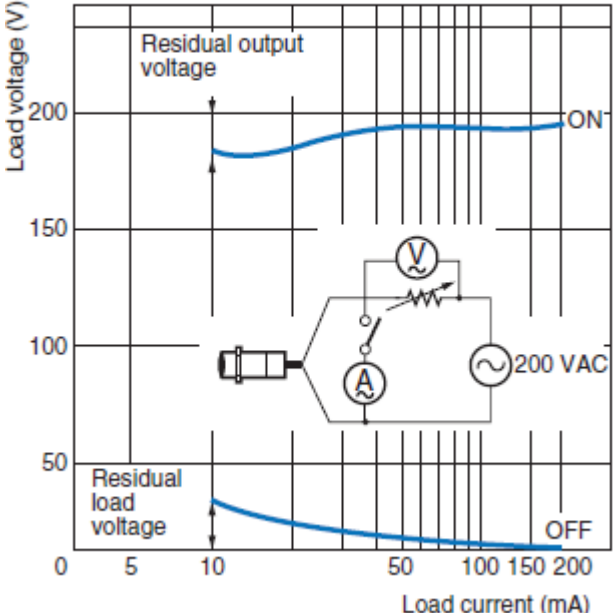
Item	Product discontinuation		Recommended replacement	
	Model E2EZ-X□Y1 E2EZ-X4Y1-M1J		Model E2EZ-X□D1-N E2EZ-X4D1-M1J	
Sensing distance	X4*1: 4mm±10% X8*1: 8mm±10%			
Set distance *1	X4*1: 0 to 3.2mm X8*1: 0 to 6.4mm			
Differential travel	20% max. of sensing distance			
Detectable object	Ferrous metal (The sensing distance decreases with non-ferrous metal.)			
Standard sensing object	X4*1: Iron, 30x30x1mm X8*1: Iron, 54x54x1mm			
Response frequency *2	X4Y1: 5 Hz X8Y1: 5 Hz		X4D1-N: 100 Hz X8D1-N: 30 Hz	
Power supply voltage (operating voltage range)	100 to 220 VAC (90 to 250 VAC), 50/60 Hz		12 to 24 VDC (10 to 30 VDC), Ripple (p-p): 10%max.	
Leakage current	2 mA max.at 100 VAC 3 mA max.at 200 VAC		0.8 mA max.	
Control output	Load current	10 to 200 mA		3 to 100 mA max.
	Residual voltage	Refer to residual voltage characteristic data (Refer to next page.).		3 V max. (Load current: 100 mA Cable length: 2 m)
Indicators	Operation indicator (red)		Operation indicator (red), Setting indicator (green)	
Operation mode (with sensing object approaching)	NO			
Protection circuits	Surge suppressor		Load short-circuit protection Surge suppressor	
Ambient temperature range	Operating/Storage: 0 to 50°C (with no icing or condensation)			
Ambient humidity range	Operating/Storage: 35% to 95% (with no condensation)			
Temperature influence	±20% max. of sensing distance at 23°C in the temperature range of 0 to 50°C			
Voltage influence	±2.5% max. of sensing distance at rated voltage in the rated voltage ±10% range			
Insulation resistance	50MΩ min.(at 500 VDC) between current-carrying parts and case			
Dielectric strength	2,000 VAC, 50/60 Hz for 1 minute between current-carrying parts and case		1,000 VAC, 50/60 Hz for 1 minute between current-carrying parts and case	
Vibration resistance	Destruction:10 to 55 Hz, 1.5-mm double amplitude for 2 hours each in X,Y, and Z directions			
Shock resistance	Destruction: 1,000 m/s ² 10 times each in X,Y, and Z directions			
Degree of protection	IEC 60529 IP67, in-house standards: oil-resistant			
Connection method	Pre-wired Models (Standard cable length: 2 m) and Pre-wired Connector Models			
Weight(packed state)	X4Y1: Approx. 170g X8Y1: Approx. 270g X4Y1-M1J: Approx. 100g		X4D1-N: Approx. 160g X8D1-N: Approx. 220g X4D1-M1J: Approx. 90g	
Materials	Case	Nickel-plated brass		
	Sensing surface	Heat-resistant ABS	PBT	
	Clamping nuts	Zinc-plated iron		
	Toothed washer	Zinc-plated iron		
Accessories	Instruction manual			

*1 Use the Sensor within the range in which the green indicator is ON.

*2 The response frequency is an average value. Measurement conditions are as follows:

Values at two times sensing distance and at half the sensing distance of the standard sensing object are averaged.

Residual Output Voltage

<p>Product discontinuation Model E2EZ-X□Y1 E2EZ-X4Y1-M1J</p>	<p>Recommended replacement Model E2EZ-X□D1-N E2EZ-X4D1-M1J</p>
<p>E2EZ-X4Y1/-X8Y1 at 100 VAC</p> 	<p>E2EZ-X□D□-N</p> 
<p>E2EZ-X4Y1/-X8Y1 at 200 VAC</p> 	

Operation Methods

<p>Product discontinuation Model E2EZ-X□Y1 E2EZ-X4Y1-M1J</p>	<p>Recommended replacement Model E2EZ-X□D1-N E2EZ-X4D1-M1J</p>
<p>No corresponding specification</p>	<p>No corresponding specification</p>

Specifications and prices in this product news are as of the issue date and are subject to change without notice. Only main changes in specifications are described in this document. Please be sure to read the relevant catalogs, datasheets, product specifications, instructions, and manuals for precautions and necessary information when using products.